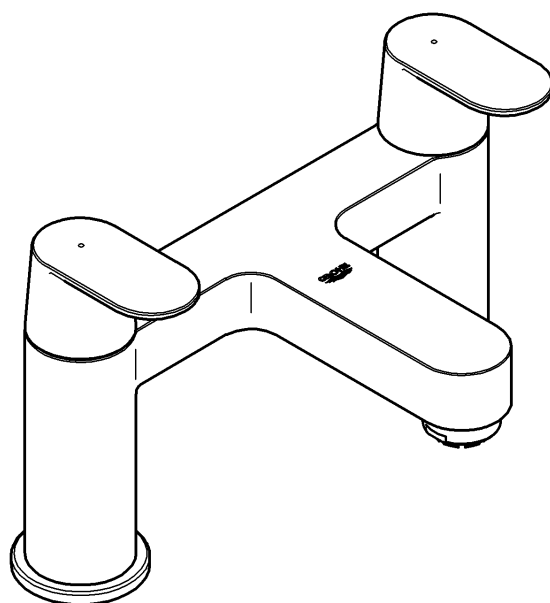
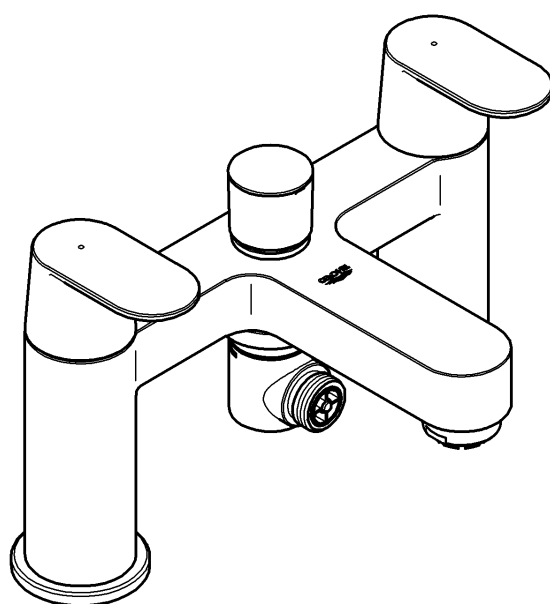


25 128



25 129



Eurosmart Cosmopolitan

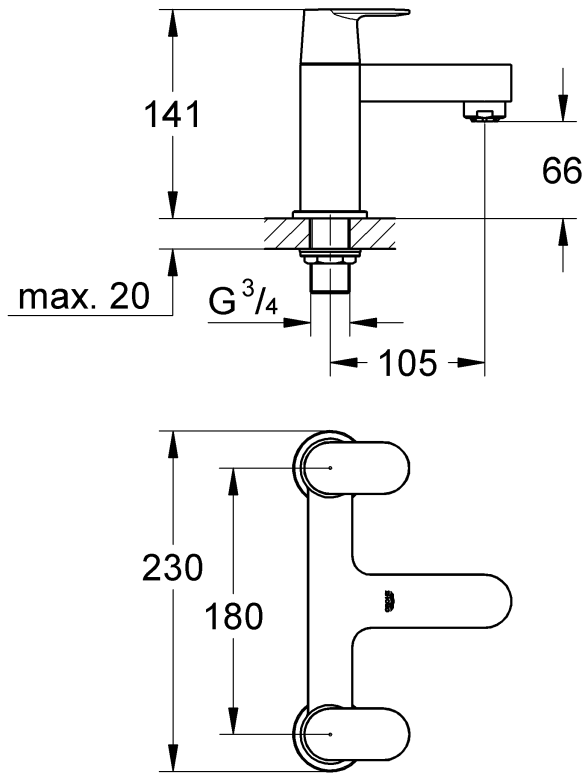
Design & Quality Engineering GROHE Germany

99.539.031/ÄM 220345/01.11

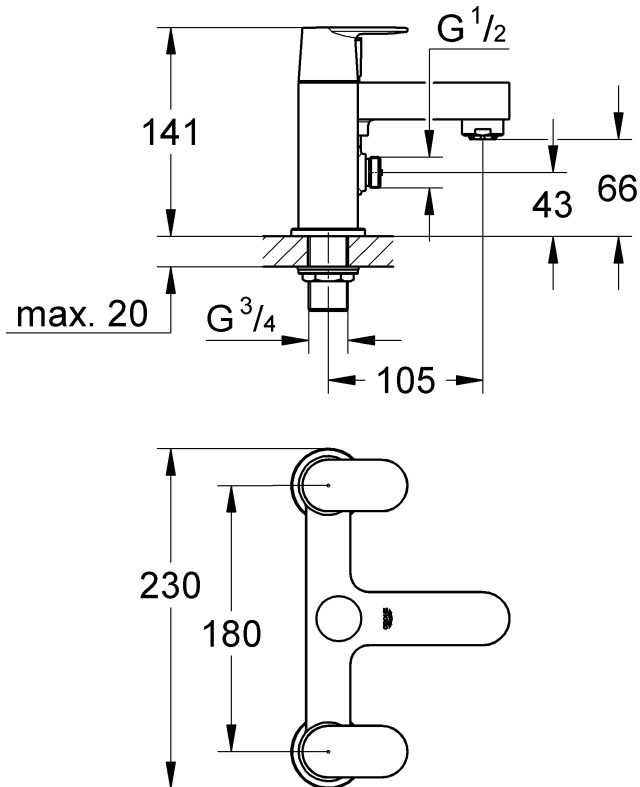
GROHE

ENJOY WATER®

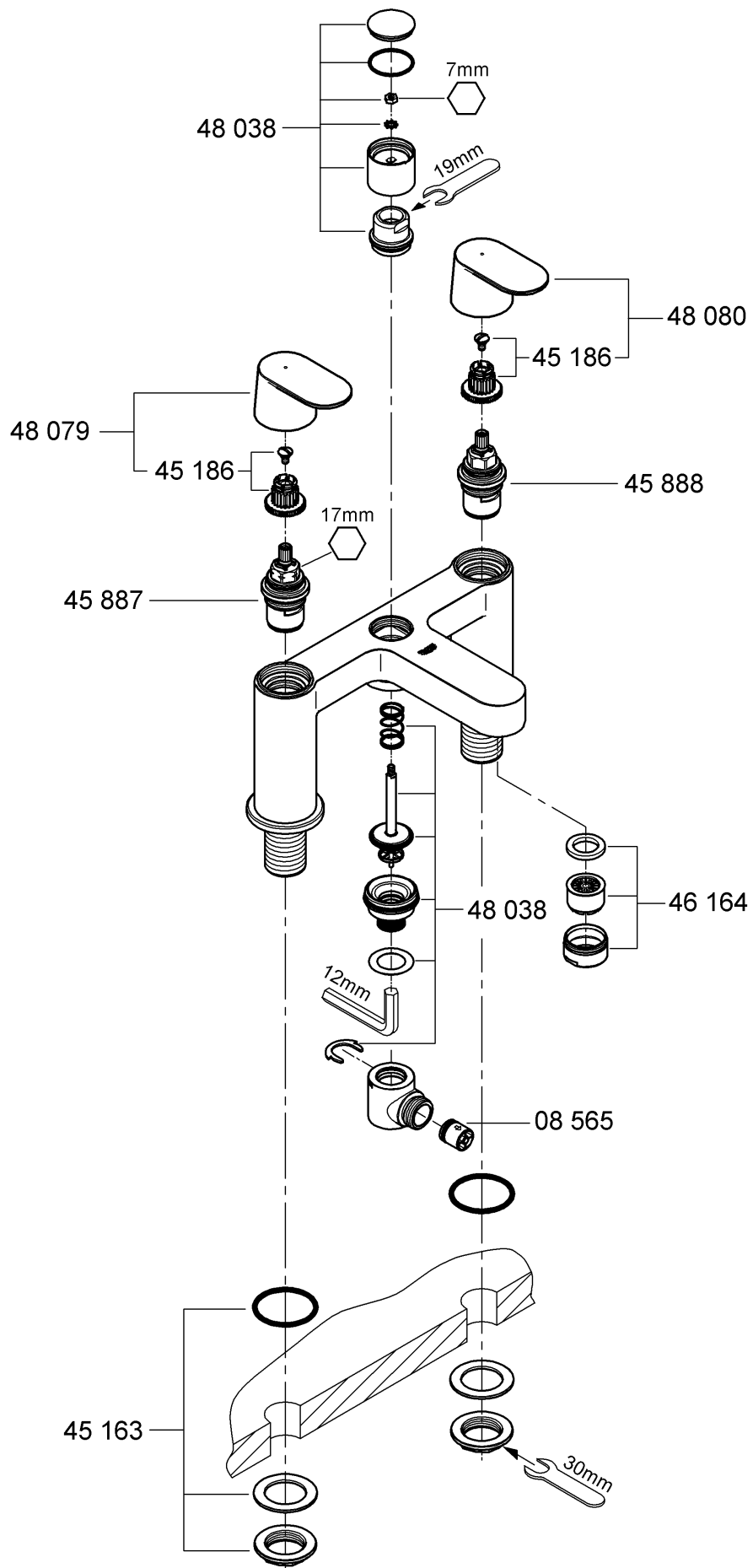
25 128



25 129



Please pass these instructions on to the end user of the fitting!





Application

Can be used in conjunction with: Pressurised storage heaters, thermally and hydraulically controlled instantaneous heaters. Operation with low-pressure displacement water heaters is **not** possible.

Specifications

- Minimum flow pressure 0.1 bar
 - Maximum operating pressure 10 bar
 - Test pressure 16 bar
- If static pressure is greater than 5 bar, fit pressure reducer.
Avoid major pressure differences between cold and hot water supply.
- Flow rate at 0.1 bar flow pressure with flow straightener: approx. 15 l/min
 - Temperature
 - Hot water inlet (maximum): 80 °C
 - Recommended (energy saving): 60 °C
 - Water connection cold - right
hot - left

New Water Regulations

This GROHE fitting with shower is equipped with single non-return valve. Please ensure installation complies with New Water Regulations covering backflow protection. It must also be installed in accordance with local bye-law requirements.

Installation

Flush piping system prior and after installation of fitting thoroughly (Consider EN 806)!

Bathtub rim mounting

Use mounting set to install the fitting, see fold-out page III, Fig. [1].

Refer to the dimensional drawings on fold-out page I.

The cold water supply must be connected on the right and the hot water supply on the left.

Open cold- and hot water supply and check connections for watertightness!

Check fitting for correct function, see Fig. [2].

Function of automatic diverter (A), see Fig. [3].

Turning the handle will release water delivery.

Water will emerge from the bath outlet first.

Pull diverter knob = to divert flow from bath outlet to shower outlet

Flow is diverted automatically from shower outlet to bath outlet when the fitting is closed.

Maintenance

Inspect and clean all parts, replace if necessary and grease with special grease.

Shut off cold and hot water supply!

I. Ceramic cartridge, see fold-out page III, Fig. [4].

1. Pull off handle (B).
2. Unscrew screw (C) and pull off snap insert (D).
3. Unscrew ceramic cartridge (E) using a 17mm socket wrench.
4. Change complete ceramic cartridge (E).

Observe the different replacement part numbers of the ceramic cartridges.

Assemble in reverse order.

II. Diverter assembly, see fold-out page III, Fig. [5].

1. Lever out cap (F).
2. With 7mm socket spanner, unscrew and remove nut (G).
3. Pull off diverter knob (H) and unscrew cap (J).
4. Remove circlip (K) and pull off connection nipple (L) with seal (M).
5. With 12mm Allen key, remove outlet nipple (N).
6. Remove spindle (O) with spring (P).

Assemble in reverse order.

III. Non-return valve, see fold-out page III, Fig. [5].

Pull out non-return valve (R).

Assemble in reverse order.

IV. Flow straightener, see fold-out page II.

Unscrew and clean flow straightener (46 164).

Assemble in reverse order.

Replacement parts, see fold-out page II (* = special accessories).

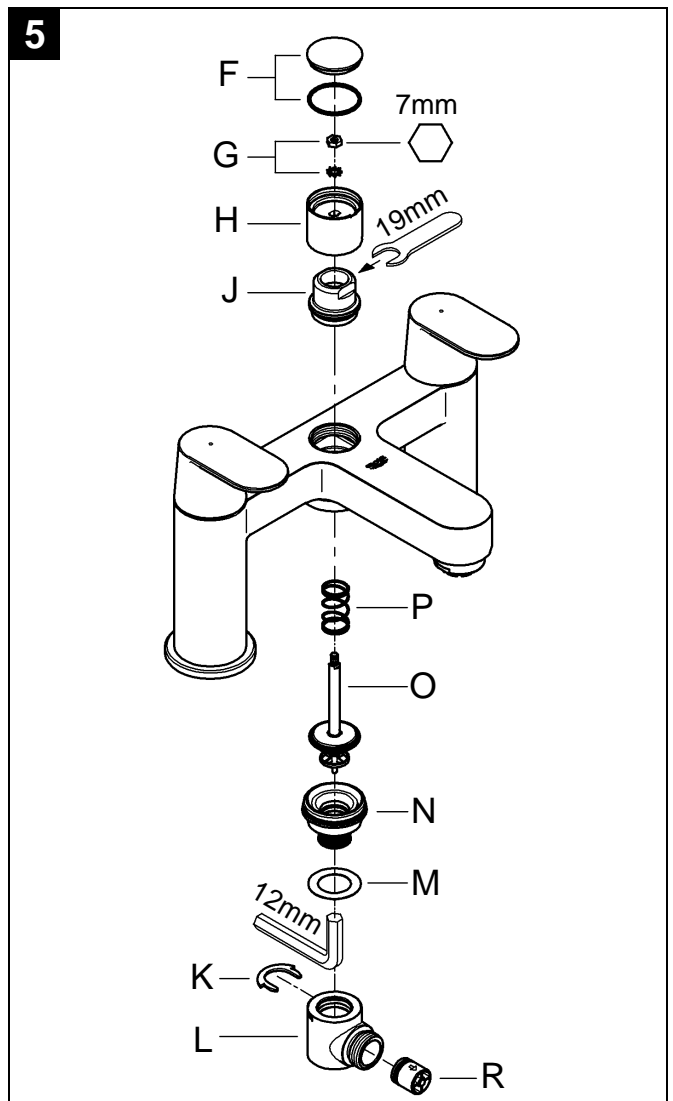
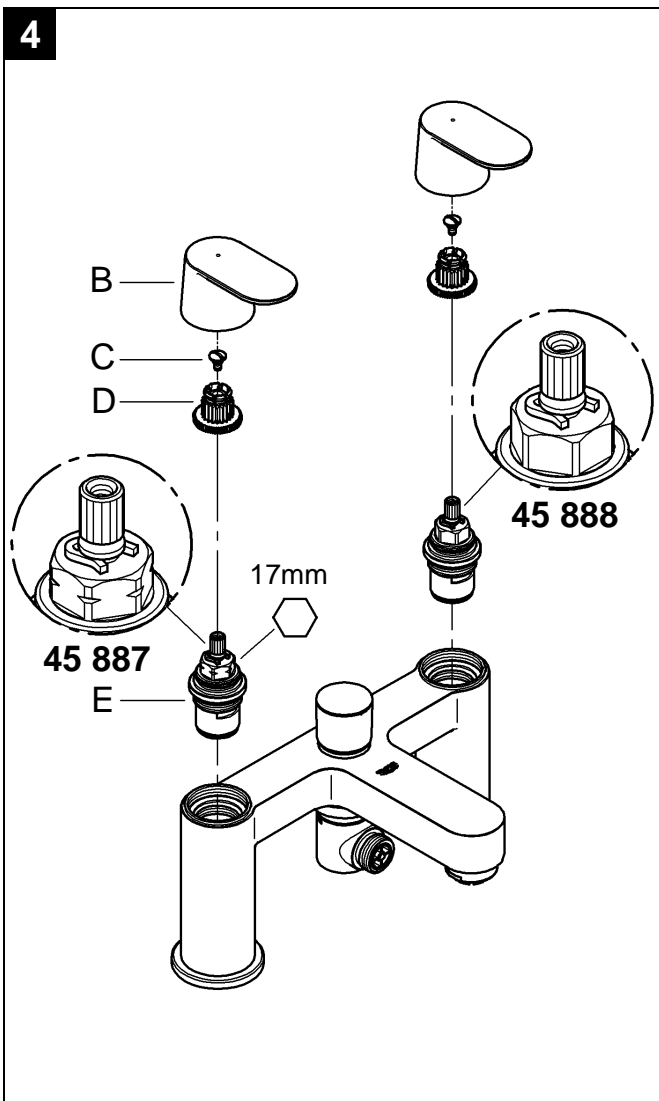
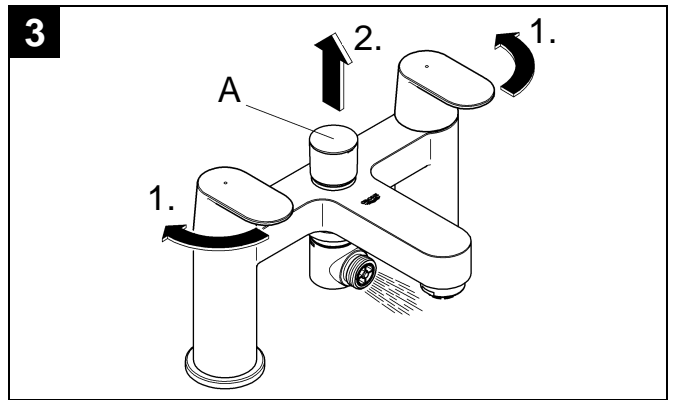
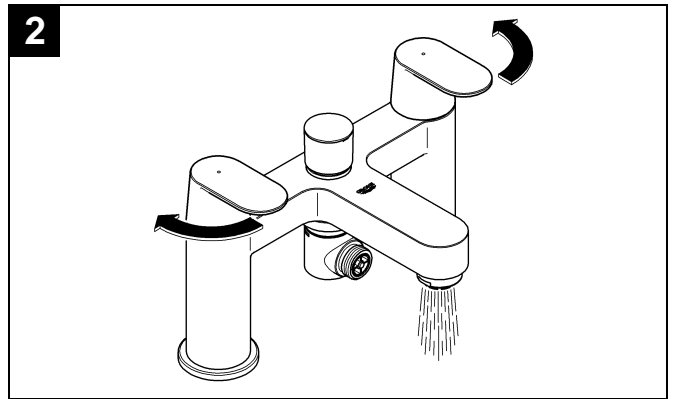
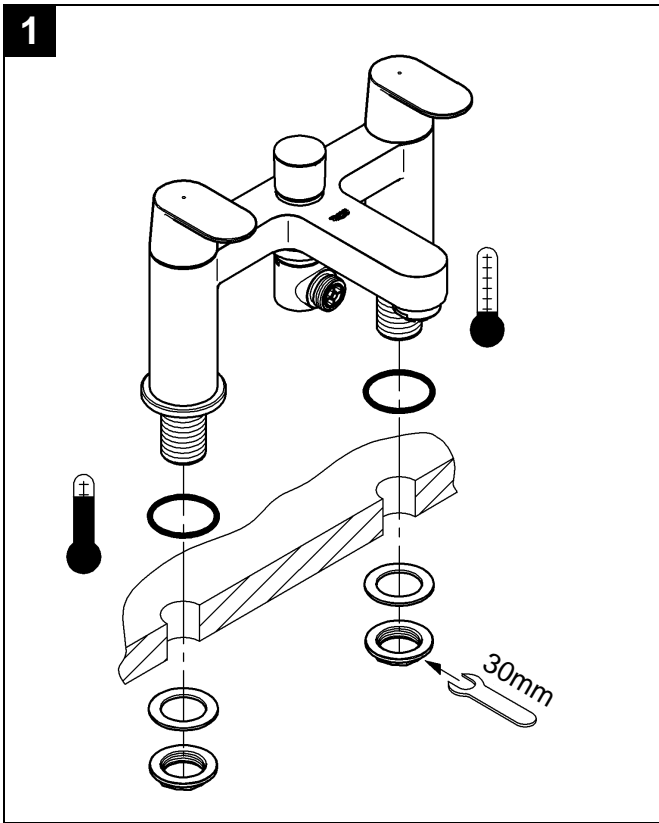
Care

Dear Customer,

We want to ensure that you get long-lasting satisfaction and pleasure from your GROHE fitting. Therefore, please read the following care instructions because damage to the surface and underlying material resulting from improper treatment is not covered by warranty.

Do not use any abrasive sponges or scouring agents for cleaning. We also advise you not to use cleaning agents containing solvent or acid, limescale removers, household vinegar and cleaning agents with acetic acid in them. They are aggressive to the surface - and will leave your fitting dull and scratched. As the formulations of commercially available cleaning agents frequently change, we cannot guarantee they will provide the gentle care our fitting deserves.

Clean the fitting with a little soap and a moist cloth only, then simply rinse off and wipe dry. You can avoid lime spots by drying the fitting each time it is used. If lime deposits do occur, remove them with **GrohClean**, our environment-friendly cleaning liquid. **GrohClean** is specially formulated to clean the surface of our fittings gently. **GrohClean** is available from your supplier.



D

Grohe Deutschland
Vertriebs GmbH
Zur Porta 9
32457 Porta Westfalica
Tel.: +49 571 3989-333
Fax: +49 571 3989-999

A

GROHE Ges.m.b.H.
Wienerbergstraße 11/A7
1100 Wien
Tel.: +43 1 68060
Fax: +43 1 6884535

B

GROHE nv - sa
Diependaalweg 4a
3020 Winksele
Tel.: +32 16 230660
Fax: +32 16 239070

BG

Търговско представителство
Grohe AG България
Бизнес център Слатина
Ул. Слатинска 1
1574 София
Тел. : +359 2 9719959
+359 2 9712535
Факс.: +359 2 9712422

CDN

GROHE Canada Inc.
1230 Lakeshore Road East
Mississauga, Ontario
Canada, L5E 1E9
Tel.: +1 905 2712929
Fax: +1 905 2719494

CH

Grohe Switzerland SA
Oberfeldstrasse 14
8302 Kloten
Tel.: +41 44 8777300
Fax: +41 44 8777320

CN

高仪 (上海)
卫生洁具有限公司
上海市黄陂北路227号
中区广场607-610室
电话: +86 21 63758878
传真: +86 21 63758665

CY

GROME Marketing (Cyprus) Ltd.
195B, Old Nicosia-Limassol Road
Dhali Industrial Zone
P.O. Box 27048
1641 Nicosia
Tel.: +357 22 465200
Fax: +357 22 379188

CZ SK

Grohe ČR s.r.o.
Zastoupení pro ČR a SR
V Oblouku 104, Čestlice
252 43 Průhonice
Tel.: +420 22509 1082
Fax: +420 22509 1085

DK

GROHE A/S
Walgerholm 11
3500 Vaerløse
Tel.: +45 44 656800
Fax: +45 44 650252

E

GROHE España S.A.
C/ Botanica, 78 - 88
Gran Via L'H - Distr. Econòmic
08908 L'Hospitalet de Llobregat
(Barcelona)
Tel.: +34 93 3368850
Fax: +34 93 3368851

EST LT LV

GROHE AG Eesti filiaal
Tartu mnt 16
10117 Tallinn
Tel.: +372 6616354
Fax: +372 6616364

F

GROHE s.à.r.l.
60, Boulevard de la Mission
Marchand
92400 Courbevoie - La Défense
Tel.: +33 1 49972900
Fax: +33 1 55702038

FIN

Oy Teknocalor Ab
Sinikellonkuja 4
01300 Vantaa
Tel.: +358 9 8254600
Fax: +358 9 826151

GB

GROHE Limited
Blays House, Wick Road
Englefield Green
Egham, Surrey, TW20 0HJ
Tel.: +44 871 200 3414
Fax: +44 871 200 3415

GR

N. Sapountzis S.A.
86, Kapodistriou & Roumelis Str.
142 35 N. Ionia - Athens
Tel.: +30 210 2712908
Fax: +30 210 2715608

H

GROHE Hungary Kft.
Röppentyü u. 53.
1139 Budapest
Tel.: +36 1 238 80 45
Fax: +36 1 238 07 13

HR

GROHE AG - Predstavništvo
Štefanovečka 10
10000 Zagreb
Tel.: +385 1 2989025
Fax: +385 1 2910962

I

GROHE S.p.A.
Via Castellazzo Nr. 9/B
20040 Cambiago (Milano)
Tel.: +39 2 959401
Fax: +39 2 95940263

IND

Grohe India Private Limited
The Great Eastern Centre
Gesco Corporate Centre
70 Nehru Place
New Dehli 110019
Tel.: +91 11 5561 9423 / 9513
Fax: +91 11 5561 9451

IS

BYKO hf.
Skemmuvegi 2
200 Kópavogur
Tel.: +354 515 4000
Fax: +354 515 4099

J

Grohe Japan Ltd.
TRC Building, 3F
1-1 Heiwajima 6-chome, Ota-ku
Tokyo 143-0006
Tel.: +81 3 32989730
Fax: +81 3 37673811

N

GROHE A/S
Nils Hansens vei 20
0667 Oslo
Tel.: +47 22 072070
Fax: +47 22 072071

NL

GROHE Nederland BV
Metaalstraat 2
2718 SW Zoetermeer
Tel.: +31 79 3680133
Fax: +31 79 3615129

P

GROHE Portugal
Componentes Sanitários, Lda.
Rua Arq. Cassiano Barbosa, 539
1.º Frente Esquerdo
4100-009 Porto
Tel.: +351 22 543 29 80
Fax: +351 22 543 29 99

PL

GROHE Polska Sp. z o.o.
Pulawska 182 Street
02-670 Warszawa
Tel.: +48 22 5432 640
Fax: +48 22 5432 650

RUS

Представительство
Grohe AG
Москва, ул. Пусаковская 13, стр.1
1107140
тел.: +7 495 9819510
факс: +7 495 9819511

RO

Grohe AG Reprezentanta
Strada Nicolae Iorga 13,
Corp B
010432 Bucuresti (Sector 1)
Tel.: +40 21 2125050
Fax: +40 21 2125048

S

GROHE A/S
Kungsängsvägen 25
753 23 Uppsala
Tel.: +46 771 141314
Fax: +46 771 141315

SLO

GROSAN inženiring d.o.o.
Slandrova 4
1000 Ljubljana
Tel.: +386 1 5633060
Fax: +386 1 5633061

TR

GROME İc ve Dis Ticaret Ltd. Sti.
Bagdat Cad. Ugras Parlar Is
Merkezi No: 605, B Blok D: 12 - 15
34846 Cevizli - Maltepe-Istanbul
Tel.: +90 216 4412370
Fax: +90 216 3706174

UA

Представництво
Grohe AG в Україні
Вул. Івана Франка, 18-А
01030 Київ
тел. : +38 044 537 52 73
факс: +38 044 590 01 96

USA

GROHE America Inc.
241 Covington Drive
Bloomingdale
Illinois, 60108
Tel.: +1 630 5827711
Fax: +1 630 5827722

**Eastern Mediterranean
Middle East - Africa
Area Sales Office:**

GROME Marketing (Cyprus) Ltd.
195B, Old Nicosia-Limassol Road
Dhali Industrial Zone
P.O. Box 27048
1641 Nicosia
Tel.: +357 22 465200
Fax: +357 22 379188

Far East Area Sales Office:

GROHE Pacific Pte. Ltd.
438 Alexandra Road
06-01/04 Alexandra Point
Singapore 119958
Tel.: +65 6376 4500
Fax: +65 6378 0855

GROHE



ENJOY WATER®