



# Tudor Range

## Tudor bath taps

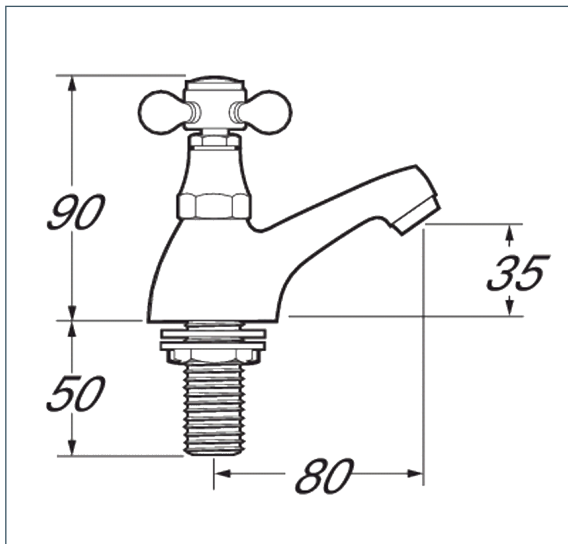
Product Code: TUD02

Finish: Chrome

### Features

- Construction: Brass & Resin
- Valve/Cartridge type: Ceramic Disc
- Supply: Suitable for all plumbing systems
- Working Pressures: 0.1 - 5.0 bar
- Inlet connections: 3/4" BSP
- Flexi or Copper: Plastic Backnuts

· Optimised for bath filling



\*Please refer to website for full warranty details.

### Flow (Bar - l/min, open outlet)

#### Spout

Flow 0.1	Flow 0.3	Flow 0.5	Flow 1.0	Flow 2.0	Flow 3.0	Flow 4.0	Flow 5.0
7.7	13.5	17	18	20	25	30	34



2007727



2007336

**12 YEAR GUARANTEE**  
ON ALL DEVA CHROME TAPS  
\*TERMS APPLY