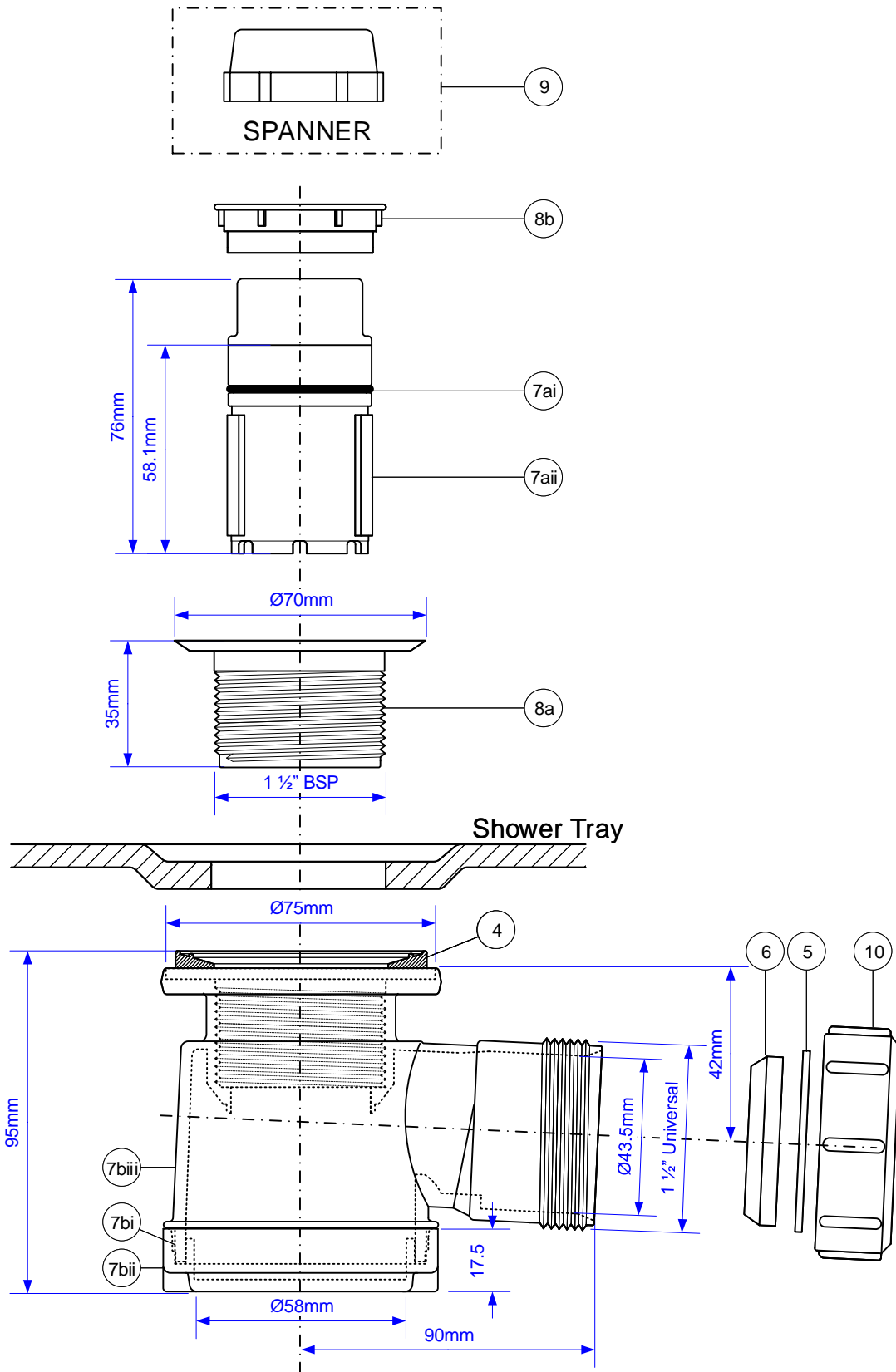


Code:

# STW3-R



**Water Seal: 19mm**

© McALPINE  
13/12/2009

Drawing verified  
correct as of:

16/07/2020  
RM

DRAWN BY

RM

SCALE

1: 1.75

REVISED

07/07/2004, 12/01/2015

18/03/2015, 25/09/2018

16/07/2020

FILENAME

STW3-R.VSD

DATE

16/07/2020