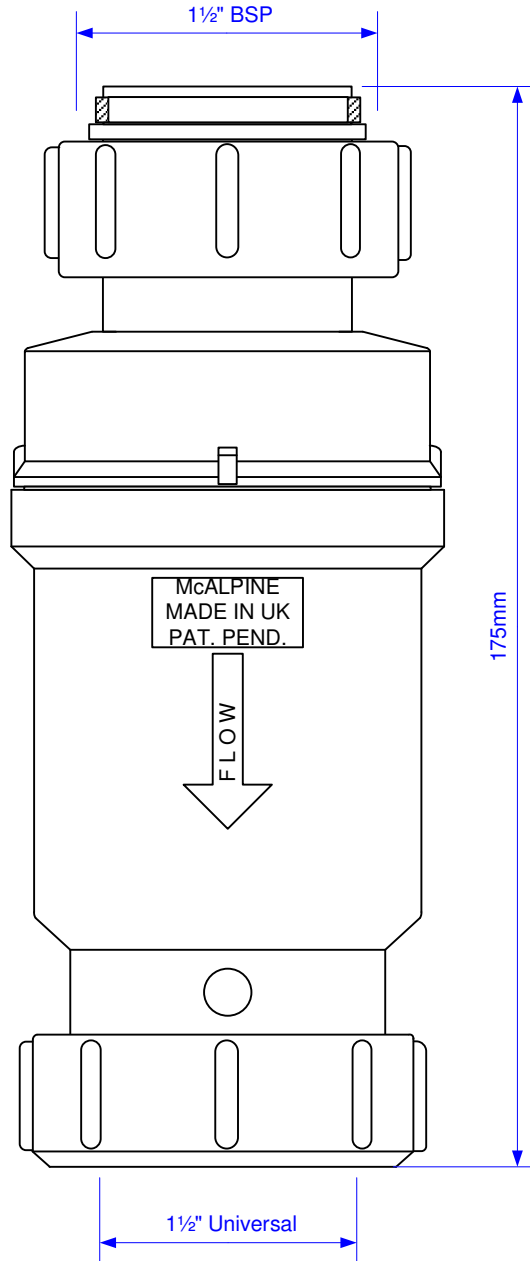


Code:

# MACVALVE-2



© McALPINE  
17/07/15

Drawing verified  
correct as of:

M.M  
22/01/16

DRAWN BY  
M.GILMOUR  
MATERIAL  
ADS/DEV1293(ABS)

REVISED  
06/10/15  
SCALE  
1: 1.2

FILENAME  
MACVALVE-2.VSD  
DATE  
17/07/15