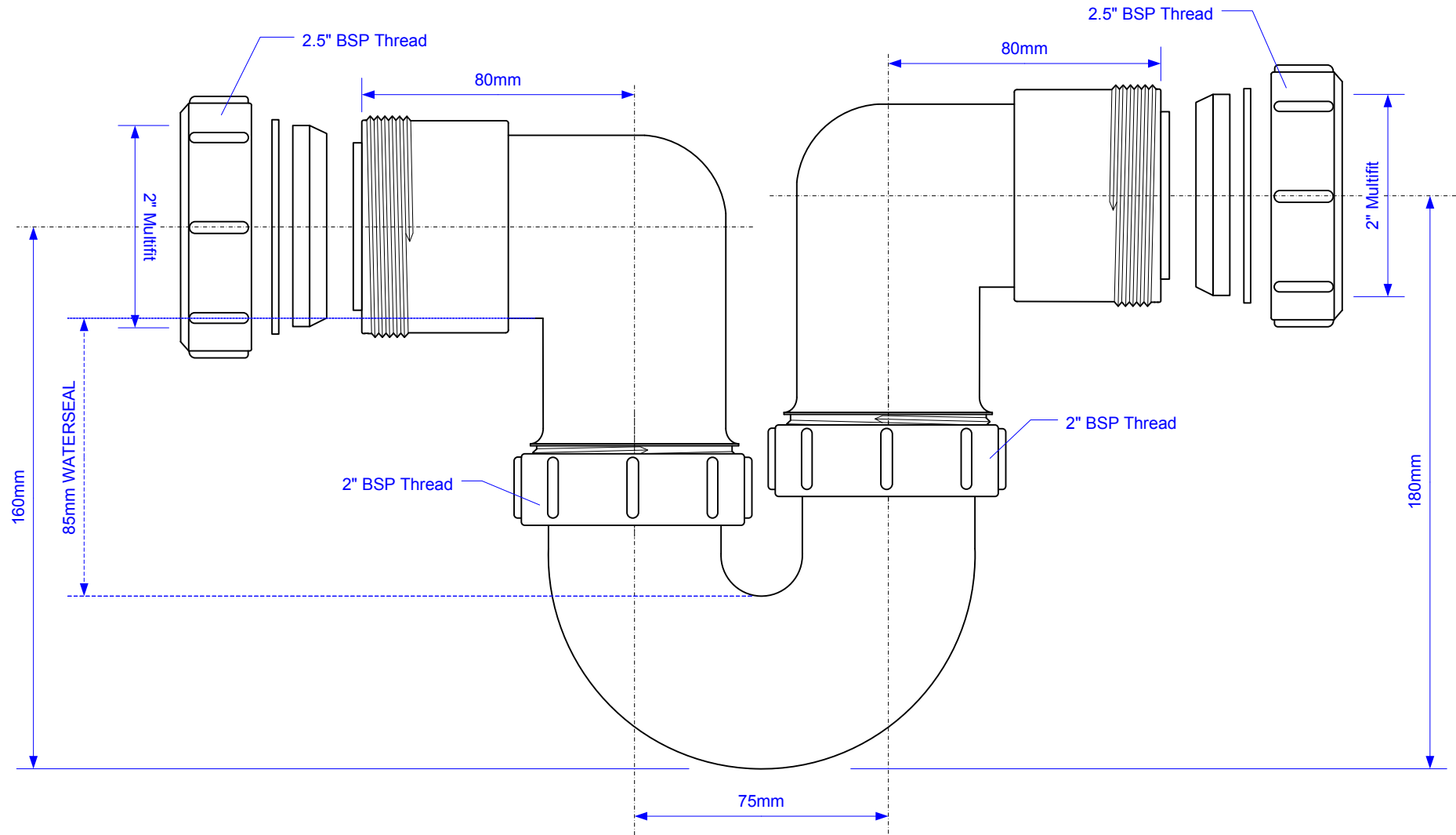


Code:

SG10



McALPINE

Drawing verified correct as of:

31.05.16
T.C.

| | |
|----------|---------|
| DRAWN BY | TC |
| SCALE | 1: 1.75 |

| | |
|---------|---|
| REVISED | 1 - Re-drawn to scale & add water seal (TC 31.05.16) |
|---------|---|

| | |
|----------|----------|
| FILENAME | SG10.VSD |
| DATE | 31.05.16 |