

# BRISTAN

## Installation Instructions & User Guide

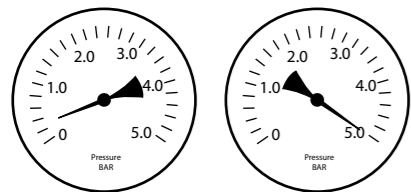
Please leave these instructions with the end user

Product Code: COB BAS C (D7)

### Specifications

#### Dynamic Water Pressure

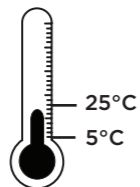
Min: 0.3 bar Max: 5.0 bar



Maximum Static Pressure: 10.0 bar

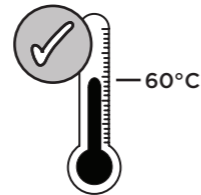
#### Inlet Water Temperature

##### Cold Water Supply



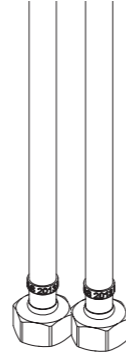
Min: 5°C Max: 25°C

##### Hot Water Supply



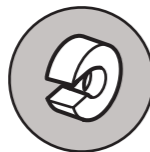
60°C Recommended

#### Inlet Connections



1/2" BSP Flexible Tails

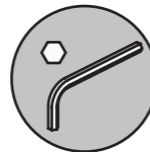
### Tools You'll Need



Pipe Cutter



Adjustable Spanner



Hexagonal Keys

### Prior to Installation

All products manufactured and supplied by Bristan are safe to use provided that they are installed, operated and receive regular maintenance in accordance with these instructions.

This product needs to be installed in accordance with, and meet the requirements of the Water Supply (Water Fittings) Regulations 1999 and current by-laws. For full Installation Requirements & Notes (IRN) please visit [wras.co.uk/directory](http://wras.co.uk/directory).

Isolation valves must be fitted to the inlet water supplies to ensure ease of future maintenance.

Before installing this product the water supply must be thoroughly flushed in order to remove any swarf, solder etc.

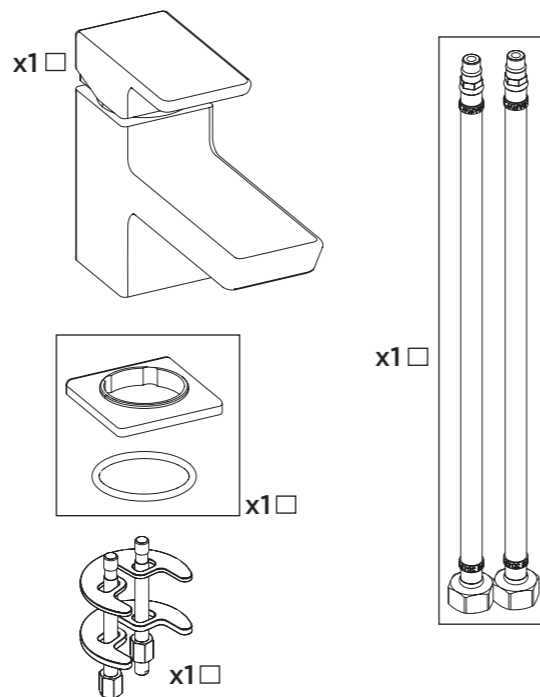
This product must not be modified in any way as this will invalidate the guarantee.

Full access must be made available for future maintenance/servicing purposes.

If in doubt, contact a registered plumber or your Local Water Authority or the Secretary of the Institute of Plumbing, address as follows:-

The Institute of Plumbing,  
64 Station Lane,  
Hornchurch,  
Essex,  
RM12 6NB, Tel: 01708 472791

### Pack Contents



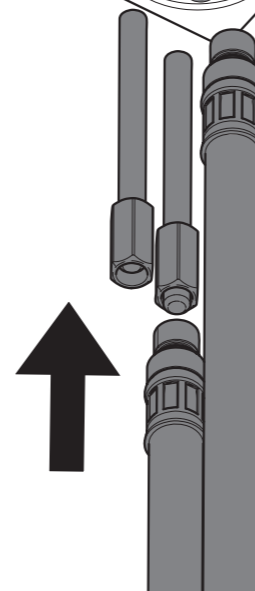
### Spare Parts

To replace any spare parts for your tap, why not scan the QR Code or visit [www.bristan.com](http://www.bristan.com) and search for your product.



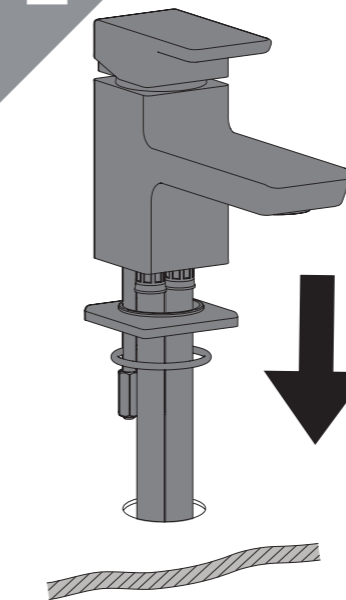
### Installation

1



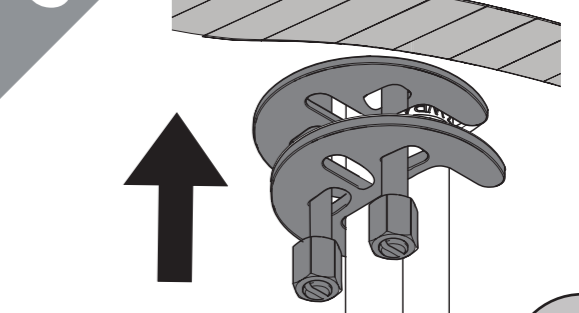
Screw in the flexible tails by hand. **DO NOT OVERTIGHTEN.**

2



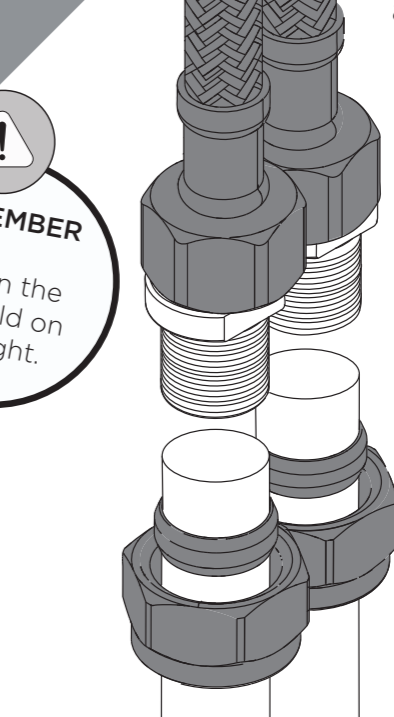
Fit the tap to the basin, ensuring the plinth is in place.

3



Secure the tap to the basin by using the fixing kit.

4



Connect the hot and cold water supplies.

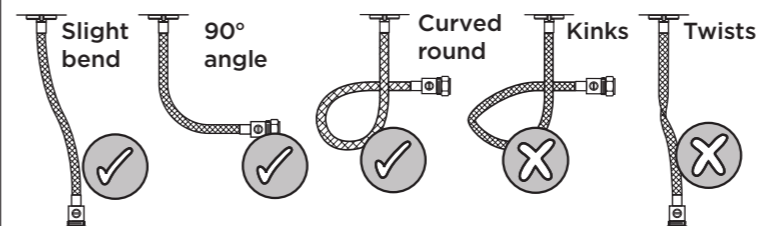
**REMEMBER**

Hot on the left, cold on the right.

**REMEMBER**

To fit isolation valves for maintenance purposes

### Flexible Tail Positions



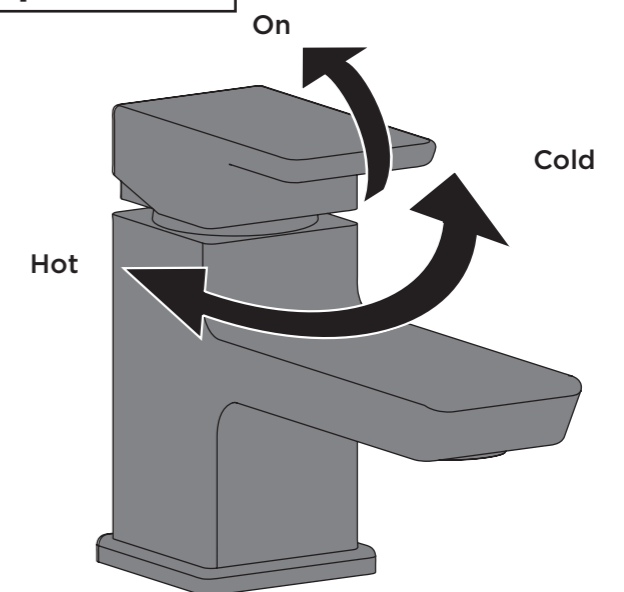
5



**IMPORTANT**  
Turn on water supply for a few minutes and check all joints and connections for any leaks.

Your tap is now ready for use.

### Operation



## General Cleaning

Bristan products are made from premium materials, with hand polishing and electroplated finishes.

Your taps or shower should be regularly cleaned with warm water, a mild pH-neutral liquid soap, and polished with a soft cloth. Any residues from soap, toothpaste, shampoos and shower gels can cause blemishes if not rinsed off straight after use.

Household bleaches and cleaners contain harsh chemicals and may damage the surface finish. Avoid using abrasive cloths, scouring pads, scrub sponges, steel wool or anything similar.

Some surfaces such as nickel and pewter may be affected by the dye found in some cloths, so it is also important to avoid hanging cloths on spouts.

## Servicing Your Tap

We recommend servicing your tap at least once every year to prolong its life. To see a video showing how to remove the cartridge for servicing, scan the QR code with your smart phone or tablet.



Alternatively visit [www.youtube.com/BristanTV](http://www.youtube.com/BristanTV)

## Spare Parts

To replace any spare parts for your tap, why not scan the QR Code or visit [www.bristan.com](http://www.bristan.com) and search for your product.



## Troubleshooting

Symptom	Cause	Remedy
No flow or low flow rate	Partially closed isolation valve.	Open isolation valve.
	Instantaneous water heater cycles on and off as flow rate or pressure is too low.	Increase water flow rate or pressure through system.
	Head of water is below the minimum distance required.	Refer to specification for minimum distance required.
	Hot or cold water being drawn off elsewhere causing pressure changes or instantaneous boiler temperature changes.	Do not use other water outlets when using the taps.
Water dripping from taps	Airlock or partial blockage in the supply pipework.	Flush through pipework to ensure removal of debris and any airlocks.
	This is normal for a short time after using the taps. If water continues to drip, possibly due to the ceramic disc valves	This is caused by residual water tension, the build up of water in the tap body. Remove valves and clean, refer to 'Maintenance' section before starting any maintenance.
Taps do not turn on	Closed isolation valve.	Open isolation valve.
	Mains water supply turned off.	Turn on mains water supply.

## Maintenance - Clean/Replace Outlet

**1**

**IMPORTANT**  
Isolate the water supply before starting!

Remove the flow straightener.

**2**

Place flow straightener parts in a suitable solution and soak until fully de-scaled.

**3**

Reverse the maintenance steps to replace the flow straightener.

## Maintenance - Cartridge Cleaning

**1**

Loosen the handle grub screw. Remove handle.

**2**

Remove the adaptor and cartridge.

**3**

Place cartridge in a suitable solution and soak until fully de-scaled.

**4**

Reverse the maintenance steps to replace the handle.

## Notes

Please use this space for any notes you or your installer may have regarding the installation/plumbing of this product.

At Bristan, we want to make things as easy as possible for our customers. That's why we offer solid guarantees on all our products, effective from the date of purchase, to give you peace of mind.

To start your free guarantee simply scan the QR code and register your product. Alternatively visit [www.bristan.com/register](http://www.bristan.com/register) to register your product via a computer.

For full guarantee terms and conditions visit [www.bristan.com/guarantees](http://www.bristan.com/guarantees).



*We Know & We Care*