

SAI 3HBAS C

SAIL Tap Range Sail 3 Hole Basin Mixer Chrome



Features:

- Long life and easy to use 1/4 turn ceramic disc valves
- Metal back nuts for added durability
- Minimum working pressure of 0.4 bar

Product Certifications:



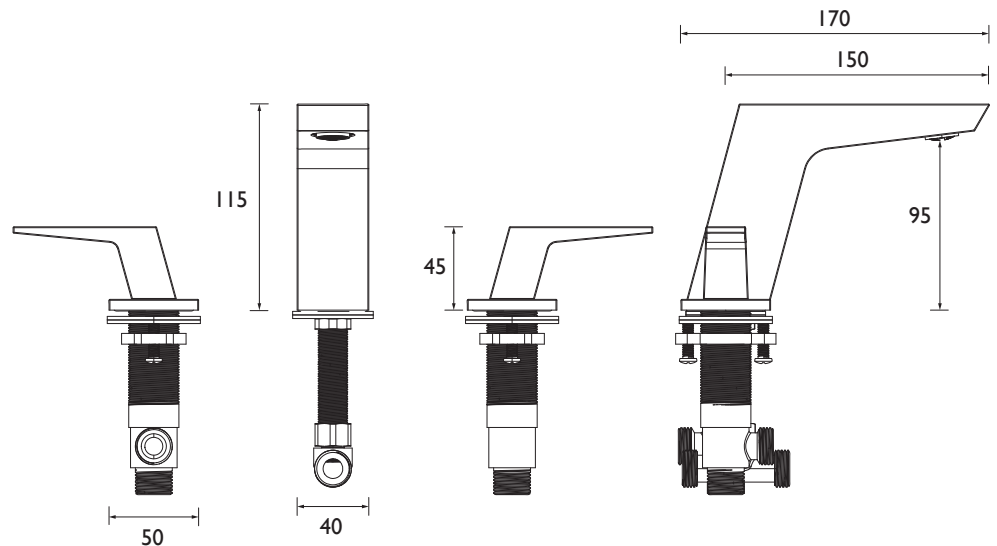
For more products, visit our website:
<http://www.bristan.com>



Specification

Product Type:	Bathroom Taps
Main Construction Material:	Brass
Mount Type:	Deck
Handle Type:	Square
Connection Inlet:	15mm Compression Threaded Tails
Connection Outlet:	M24 Coin-Slot Aerator
Number of Tap Holes:	3
Valve/Cartridge Type:	1/2" Ceramic Disc Valve - 1/4 turn
Plumbing System Requirements:	Suitable for high pressure systems
Minimum Dynamic Pressure (bar):	0.4 bar
Maximum Dynamic Pressure (bar):	5 bar
Maximum Hot Water Temperature °C:	65°C
Maximum Static Pressure (bar):	10 bar
Flow Type:	Single
Isolation Included:	No

Dimensions (measurements in mm)



Flow Rates (l/min)

System Pressure (bar)	0.4	0.5	1	2	3	5
SAI 3HBAS C (mixed)	10.5	11.8	16.6	23.5	28.8	37.2

TECHNICAL DATA SHEET



BRISTAN

D3