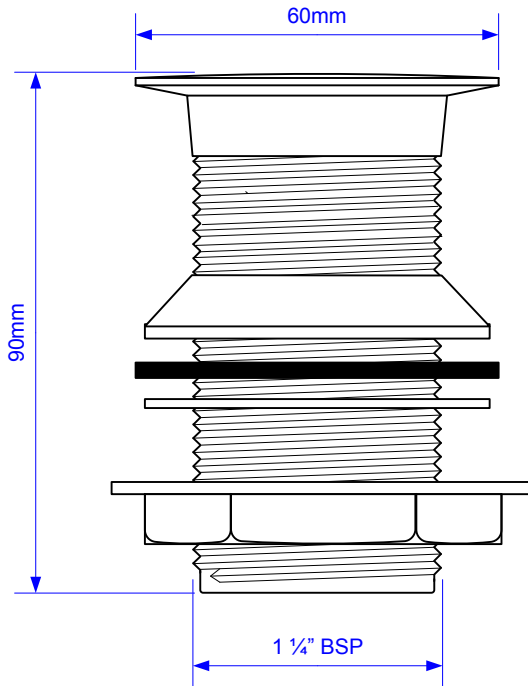
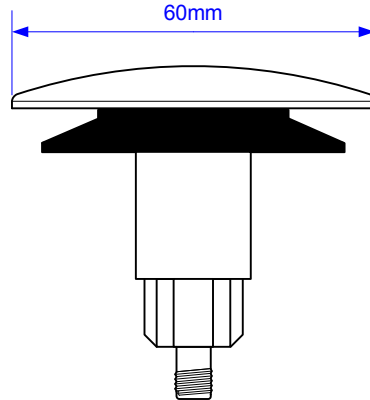
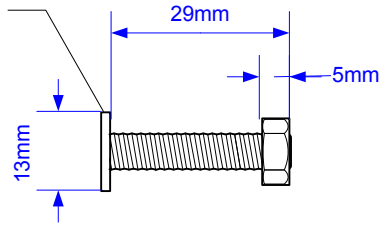


Code:

CWU60-CB

CHAIN STAY BLANKING SCREW



© McALPINE
23/09/2002

Drawing verified
correct as of: 23/09/2002

DRAWN BY

RM

REVISED

SCALE

1: 1.25

FILENAME

CWU60-CB.VSD

DATE

23/09/2002